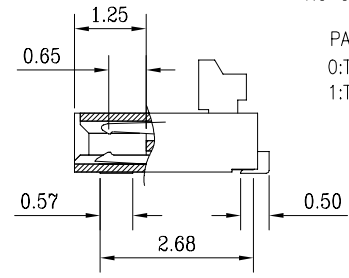
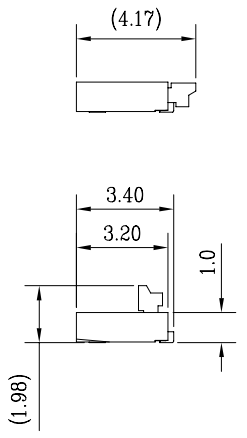
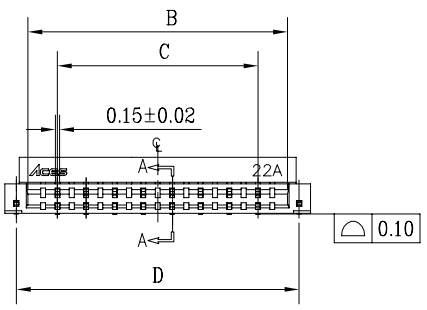
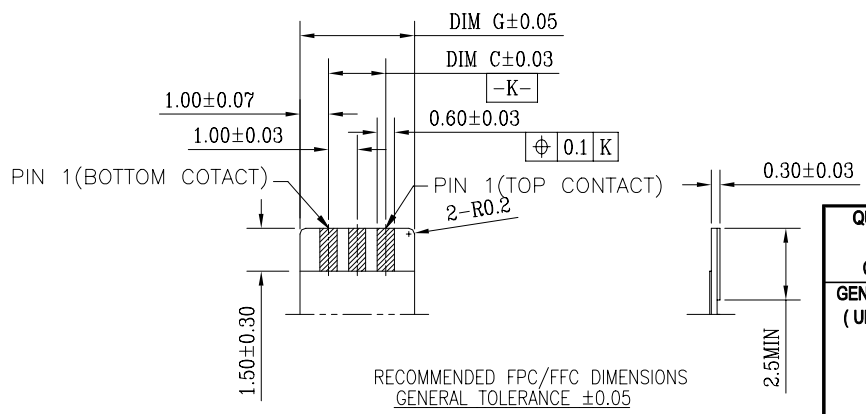
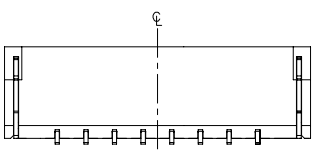


PCB PATTERN LAYOUT



SECTION A-A
SCALE 6:1



RECOMMENDED FPC/FFC DIMENSIONS
GENERAL TOLERANCE ±0.05

NOTES:

1. MATERIAL:
 - 1.1 HOUSING: THERMOPLASTIC, HIGH TEMP.UL94V-0; COLOR:WHITE.
 - 1.2 ACTUATOR: THERMOPLASTIC, HIGH TEMP.UL94V HB; COLOR:BLACK.
 - 1.3 CONTACT: COPPER ALLOY
 - 1.4 FITTING NAIL: COPPER ALLOY
2. FINISH:
 - 2.1 CONTACT:
 - 50~100u" NICKEL UNDERPLATING OVERALL.
 - M: 3u" GOLD ON CONTACT AND SOLDER FOR SELECTIVENESS PLATING
 - B: 5u" GOLD ON CONTACT AND SOLDER FOR SELECTIVENESS PLATING
 - T: 10u" GOLD ON CONTACT AND SOLDER FOR SELECTIVENESS PLATING
 - 2.2 FITTING NAIL:
 - 100~200u" TIN PLATING ON SOLDER TAILS(LEAD FREE).
 - 50~100u" NICKEL UNDERPLATING OVERALL.
3. SPEC. PLS. REFER TO PS-50696-XXXXX
4. PACKAGE PLS. REFER TO 50696-XXXXX-TRP
5. PART NUMBER

51601-XXX	X	X	-001
NO OF CKT			CONTACT PLATING
PACKING			M: 3u" GOLD ON CONTACT AND SOLDER FOR SELECTIVENESS PLATING
0:TAPE REEL			B: 5u" GOLD ON CONTACT AND SOLDER FOR SELECTIVENESS PLATING
1:TUBE			T: 10u" GOLD ON CONTACT AND SOLDER FOR SELECTIVENESS PLATING

CKT	DIM A	DIM B	DIM C	DIM D	DIM E	DIM F	DIM G
4	6.68	5.07	3.00	5.88	5.60	6.40	5.00
6	8.68	7.07	5.00	7.88	7.60	8.40	7.00
8	10.68	9.07	7.00	9.88	9.60	10.40	9.00
10	12.68	11.07	9.00	11.88	11.60	12.40	11.00
12	14.68	13.07	11.00	13.88	13.60	14.40	13.00
14	16.68	15.07	13.00	15.88	15.60	16.40	15.00

QUALITY SYMBOLS MAJOR Ⓢ CRITICAL Ⓢ GENERAL TOLERANCES (UNLESS SPECIFIED) X ±0.5 .X ±0.25 .XX ±0.15 .XXX ±0.1 ANGLES ±2°	DRAWN BY Wang, Kai Hung 23/06/15	DATE 23/06/15	 1.0MM PITCH EASY ON FPC CONN. SMT R/A D/C TYPE
	CHECKED BY Liu, Yuan Huang 23/06/15	DATE 23/06/15	
	APPROVED BY Wang, Chun Sheng 23/06/15	DATE 23/06/15	TITLE 1.0MM PITCH EASY ON FPC CONN. SMT R/A D/C TYPE
UNITS mm		SIZE A4	RFQ NO. N/A
SCALE 4 : 1	SHEET NO. 1 OF 1	REV E	PART NO. SEE NOTES
			DWG NO. 51601-XXXXX-001